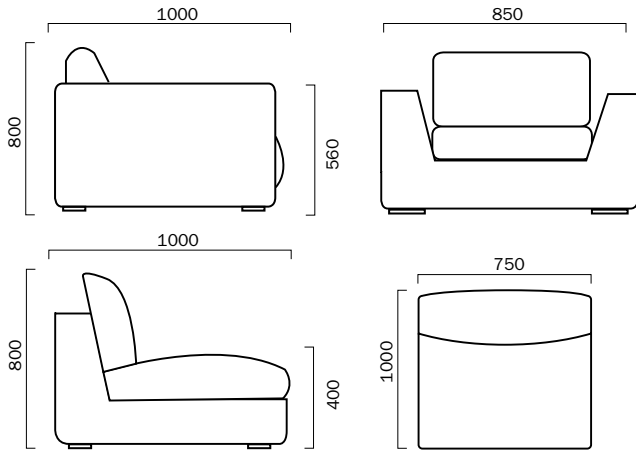


# Didier

## Product guide



Didier is a contemporary take on a thoroughly geometric sofa, softened by elegant quilting.

Its expertly crafted and robust form has strong bones but also delivers superior comfort.

Didier is well grounded by solid stainless steel footings which enhance its low profile.

The quilted seat cushions combine various densities of 'Ultimate Comfort' and 'Indulgence' foams for strength and durability, while the back cushions are filled with feathers and down (66%) and polyester hollow fibre (34%), enclosed in a heavy-duty fabric case.

The Didier range includes two, two and a half, three and king sofa options plus matching chairs and ottomans.

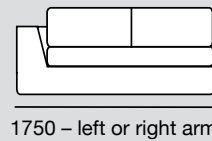
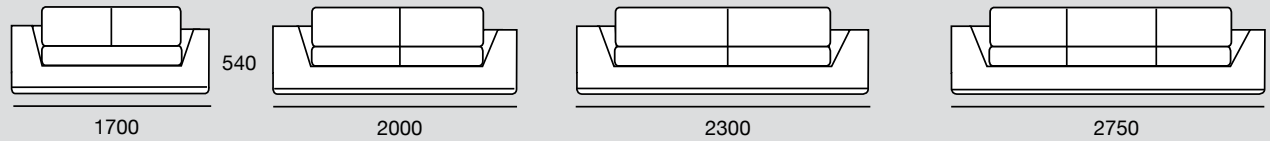
While Sofaworks specialises in leather, Didier can be made in a fabric of your choice.

Guaranteed for ten years.

Made in Australia by  
**Sofaworks**  
 A division of FNV Pty Ltd

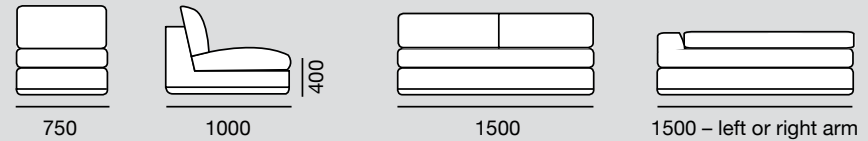
30 Norman Street  
 Peakhurst NSW 2210  
 Tel + 61 2 9534 3822  
 Fax + 61 2 9534 3833  
 Email – [info@sofaworks.com.au](mailto:info@sofaworks.com.au)  
[www.sofaworks.com.au](http://www.sofaworks.com.au)

Choose from two, two and a half, three and king sofa options



1750 – left or right arm

All seats are also available armless, with or without cushions



Ottomans

